

NOBLE GAS AIR/STACK MONITOR

烟囱道惰性气体空气监测器

ARGON – XENON – KRYPTON

氩、氙、氪

Model # FM-9XE-NG

Model # FM-9NGAS-2

Model # FM-9NGAS-3

FEATURES:产品特点

- NEW, IMPROVED DIGITAL XENON MONITOR
新型改进后的氙监测器
- USER FRIENDLY
方便用户
- SIX-DIGIT READOUT
六位数读数
- AIRBORNE CONCENTRATION & TOTAL DOSE IN Bq/l OR IN MPC (OR ANY UNITS)
气溶胶污染物&总剂量读出单位 Bq/l 或 MPC (或任何单位)
- SETTABLE ALARMS
可设定报警
- COMPUTER INTERFACE USB OR ETHERNET
计算机 USB 接口或以太网
- DATA LOGGER BUILT-IN
内置数据录入器



APPLICATION:应用

The FM-9XE-NG Monitor is fast becoming the first choice for Noble Gas measurement in facilities all over the world.

FM-9XE-NG 监视器是正在快速成为全世界测量惰性气体首选仪器

DESCRIPTION:描述

Model FM-9XE-NG - Noble Gas Monitor determines noble gas content of air by drawing the air through a gas chamber which is under constant surveillance by a radiation detector. It is normally supplied with a six foot outlet and inlet hose so that it may draw air from the use area, duct, stack, glove box, hood or filter trap. In addition to showing the noble gas content on the monitor. All data is recorded on internal memory. It can also furnish permanent record in the form of an optional CD/DVD writer or digital printer with date & time stamp. An alarm is included which produces a red flashing light and/or 2,000 Hz (beep) should the preset level be exceeded.

FM-9XE-NG-惰性气体监测器，在一个辐射探头的持续检测下，将空气抽进气室来检测空气中惰性气体含量。通常提供 6 英尺长的进出软管各一根以便将空气从被检测区域、风管、烟囱、手套箱、通风橱或过滤器中抽进，除了显示监测器中的惰性气体外，所有数据被存储在内存中，还可以通过 CD/DVD 刻录机或带日期数字打印机打印形式永久保存记录（选购）。包括一个报警器，如果超出预先设定的水平，红灯闪烁报警或/并且 2,000Hz 蜂鸣音。



NOBLE GAS AIR/STACK MONITOR

烟囱道惰性气体空气监测器

ARGON – XENON – KRYPTON

氩、氙、氪

Model # FM-9XE-NG

Model # FM-9NGAS-2

Model # FM-9NGAS-3

SPECIFICATIONS

•Sensitivity: 灵敏度

5×10^{-9} $\mu\text{Ci/cc}$ – See Chart

5×10^{-9} $\mu\text{Ci/cc}$ ---见表

•Fast Count: 快速计数

Digital rate meter range FM-9XE-NG, 4 decades 0.1 mpc (10^{-6} $\mu\text{Ci/ml}$ to 1000 mpc (10^{-2} $\mu\text{Ci/ml}$)

数字率表量程 FM-9XE-NG, 4 量级 0.1 mpc (10^{-6} $\mu\text{Ci/ml}$ -1000 mpc (10^{-2} $\mu\text{Ci/ml}$)

•Detection: Gas chamber with 2" pancake GM detector (T-1190).

检测：气室带 2"扁平 GM 管探头

•Shielding: 3/8" thick lead around chamber and detector. (7" H x 4.5" dia.)

屏蔽：电离室和探头周围带 3/8"厚度铅 (7" 高 x 4.5" 直径.)

•Flow Rate: Regulated - normally set at 10 Liters/minute.

流量：调节后---正常设定在 10 升/分钟

•Prefilter: Used to remove particulates.

预滤器：用来移除粒子

•Case: Electronics housed in enameled metal case; 11" x 11" x 15".

外箱：电子学放置在镀漆金属箱中，11" x 11" x 15".

•Display: 7" color LCD monitor. Built-in digital and graphics user data display.

显示：7"LCD 显示器。内置数字图形用户数据显示

•Air Pump: Long life low noise type oil-less;. (6" x 6" x 10")

气泵：寿命长低噪音无油(6" x 6" x 10")

•Alarm:报警

Audible: 2000 Hz beeper. 音频：2000 Hz 蜂鸣音

Visual: red flasher settable at any point on scale. 视频：闪烁红灯，可预设

Relay closure for users door lock or remote alarm 继电器关闭，锁门或远程报警

•Power: 115V, 60 Hz. Optional 230V, 50 Hz.

电源：115V, 60 Hz. 可选购 230V, 50 Hz.

•Weight: Electronics 12lbs, Shielded Detector 22lbs, Pump 7lbs.

重量：电子学 12 磅，屏蔽探头 22 磅，泵 7 磅

•Shipping Weight: 690 lbs. (FM-9NGAS-3)

装船重量：690 磅(FM-9NGAS-3)

Options: E-FLO – Electronic Flow Meter

选购：E-FLO –电子学流量表



NOBLE GAS AIR/STACK MONITOR

烟囱道惰性气体空气监测器

ARGON – XENON – KRYPTON

氩、氙、氪

Model # FM-9XE-NG

Model # FM-9NGAS-2

Model # FM- 9NGAS-3

SPECIFICATIONS:

Sensitivity: In the case of elevated back ground

Count Time	N ¹⁶ Background	MDA FM-9NGAS-2 Ar ⁴¹ Concentration	MDA FM- 9NGAS-3 ¹ Ar ⁴¹ Concentration
20 min.	2mR/hr	1 x 10 ⁻⁷ μCi/cc	5 x 10 ⁻⁸ μCi/cc
33 min.	4mR/hr	1 x 10 ⁻⁷ μCi/cc	5 x 10 ⁻⁸ μCi/cc
70 min.	8mR/hr	1 x 10 ⁻⁷ μCi/cc	5 x 10 ⁻⁸ μCi/cc
30 min.	0.01mR/hr	1 x 10 ⁻⁸ μCi/cc	5 x 10 ⁻⁹ μCi/cc
8 hr.	2mR/hr	2 x 10 ⁻⁸ μCi/cc	1 x 10 ⁻⁸ μCi/cc

DESCRIPTION	FM-9NGAS
Read-out Units (Typical)	Bq/m ³ μCi/cc, or DAC
Measures	Airborne Concentration
New Upgraded Hardware	•Calculations by Imbedded Processor •On Board Data Logger
Available options	Optional Electronic mass flowmeter



NOBLE GAS AIR/STACK MONITOR

烟囱道惰性气体空气监测器

ARGON – XENON – KRYPTON

氩、氙、氪

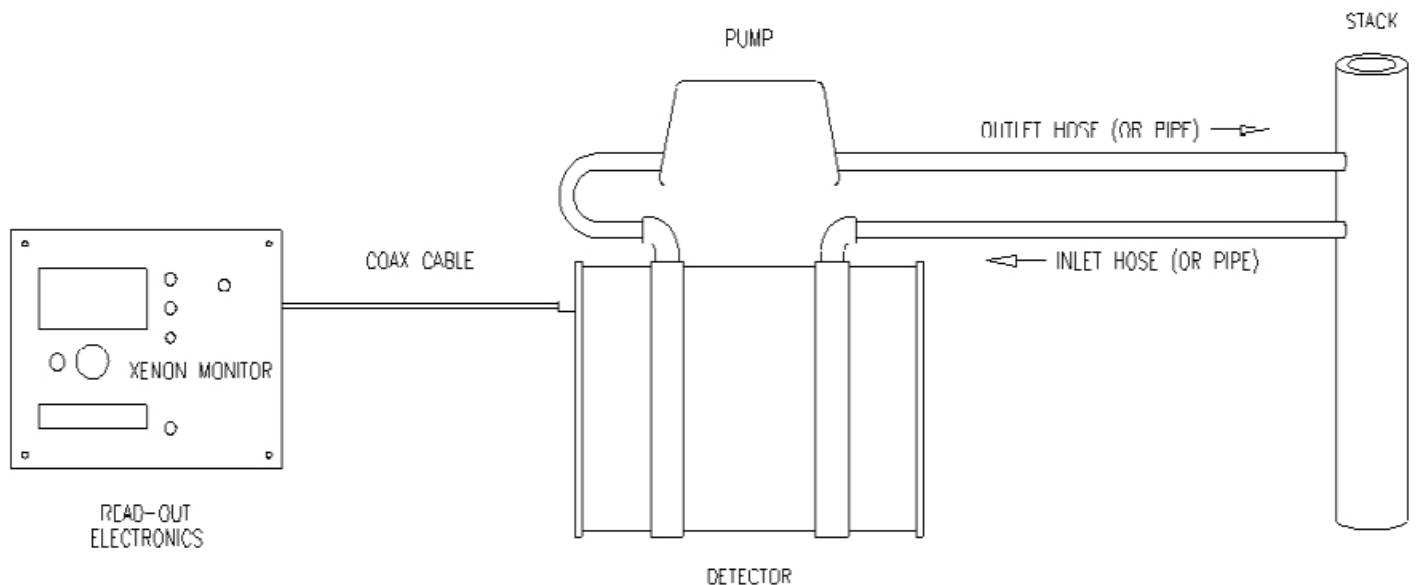
Model # FM-9XE-NG

Model # FM-9NGAS-2

Model # FM-9NGAS-3

Noble Gas Monitor Comparison

	FM-9XE-NG	FM-9NGAS-2	FM-9NGAS-3
Chamber Volume	300 cc	1 liter	1 liter
Main Detector	2" dia T-1190 GM	2" dia T-1190 GM	2 ea 2" dia T-1190 GM
Shielding	3/8"	1.0"	3.0"
Background Subtract Detector	N/A	N/A	Duplicate 2" dia T-1190 GM
Weights (lbs)			
Electronics	12 lbs	12	12
Pump	7 lbs	14	14
Detector Shield	22 lbs	200	590



NOBLE GAS AIR/STACK MONITOR

烟囱道惰性气体空气监测器

ARGON – XENON – KRYPTON

氩、氙、氪

Model # FM-9XE-NG

Model # FM-9NGAS-2

Model # FM- 9NGAS-3

Quiet, long-life, Green-Turtle Pump

