

NOBLE GAS AIR/STACK MONITOR ARGON – XENON - KRYPTON

Model # FM-9XE-NG
Model # FM-9NGAS-2
Model # FM- 9NGAS-3

FEATURES:

- NEW, IMPROVED DIGITAL XENON MONITOR
- USER FRIENDLY
- SIX-DIGIT READOUT
- AIRBORNE CONCENTRATION & TOTAL DOSE IN Bq/l OR IN MPC (OR ANY UNITS)
- SETTABLE ALARMS
- COMPUTER INTERFACE USB OR ETHERNET
- DATA LOGGER BUILT-IN



APPLICATION:

The **FM-9XE-NG** Monitor is fast becoming the first choice for Noble Gas measurement in facilities all over the world.

DESCRIPTION:

Model **FM-9XE-NG** - Noble Gas Monitor determines noble gas content of air by drawing the air through a gas chamber which is under constant surveillance by a radiation detector. It is normally supplied with a six foot outlet and inlet hose so that it may draw air from the use area, duct, stack, glove box, hood or filter trap. In addition to showing the noble gas content on the monitor. All data is recorded on internal memory. It can also furnish permanent record in the form of an **optional** CD/DVD writer or digital printer with date & time stamp. An alarm is included which produces a red flashing light and/or 2,000 Hz (beep) should the preset level be exceeded.

SPECIFICATIONS

- Sensitivity:** 5×10^{-9} $\mu\text{Ci/cc}$ – See Chart
 - Fast Count:** Digital rate meter range FM-9XE-NG, 4 decades 0.1 mpc (10^{-6} $\mu\text{Ci/ml}$ to 1000 mpc (10^{-2} $\mu\text{Ci/ml}$)
 - Detection:** Gas chamber with 2" pancake GM detector (T-1190).
 - Shielding:** 3/8" thick lead around chamber and detector. (7" H x 4.5" dia.)
 - Flow Rate:** Regulated - normally set at 10 Liters/minute.
 - Prefilter:** Used to remove particulates.
 - Case:** Electronics housed in enameled metal case; 11" x 11" x 15".
 - Display:** 7" color LCD monitor. Built-in digital and graphics user data display.
 - Air Pump:** Long life low noise type oil-less; (6" x 6" x 10")
 - Alarm:**
 - Audible: 2000 Hz beeper.
 - Visual: red flasher settable at any point on scale.
 - Relay closure for users door lock or remote alarm
 - Power:** 115V, 60 Hz. **Optional** 230V, 50 Hz.
 - Weight:** Electronics 12lbs, Shielded Detector 22lbs, Pump 7lbs.
 - Shipping Weight:** 690 lbs. (FM-9NGAS-3)
- Options: E-FLO – Electronic Flow Meter

TA TECHNICAL ASSOCIATES

7051 ETON AVENUE, CANOGA PARK, CA 91303
TELEPHONE: (818)-883-7043 FAX: (818) 883-6103
e-mail: tgold@nwc.net www.tech-asociates.com

**NOBLE GAS AIR/STACK MONITOR
ARGON – XENON - KRYPTON**

Model # FM-9XE-NG
Model # FM-9NGAS-2
Model # FM- 9NGAS-3

SPECIFICATIONS:

Sensitivity: In the case of elevated background

Count Time	N ¹⁶ Background	MDA FM-9NGAS-2 Ar ⁴¹ Concentration	MDA FM- 9NGAS-3 ¹ Ar ⁴¹ Concentration
20 min.	2mR/hr	1 x 10 ⁻⁷ μCi/cc	5 x 10 ⁻⁸ μCi/cc
33 min.	4mR/hr	1 x 10 ⁻⁷ μCi/cc	5 x 10 ⁻⁸ μCi/cc
70 min.	8mR/hr	1 x 10 ⁻⁷ μCi/cc	5 x 10 ⁻⁸ μCi/cc
30 min.	0.01mR/hr	1 x 10 ⁻⁸ μCi/cc	5 x 10 ⁻⁹ μCi/cc
8 hr.	2mR/hr	2 x 10 ⁻⁸ μCi/cc	1 x 10 ⁻⁸ μCi/cc

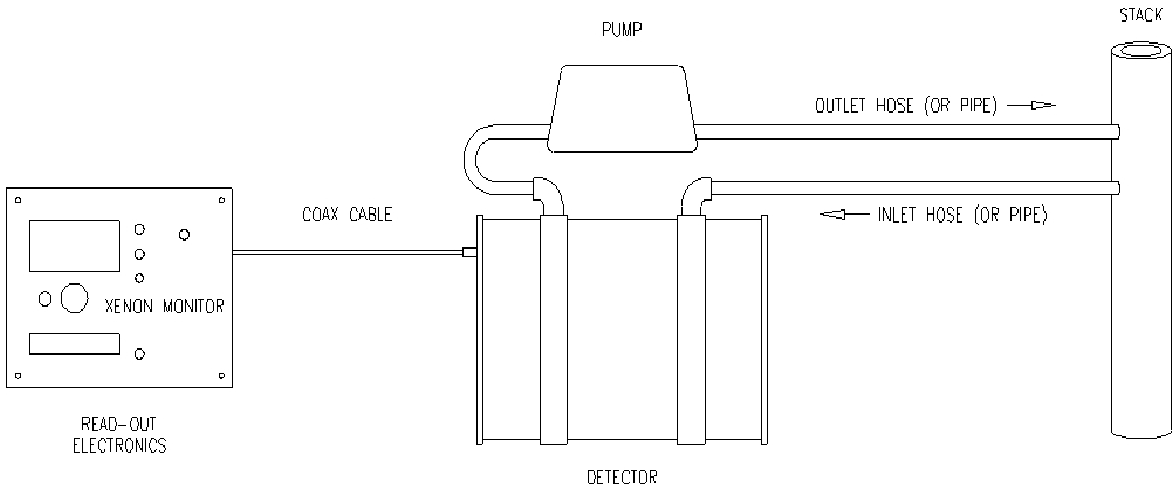
DESCRIPTION	FM-9NGAS
Read-out Units (Typical)	Bq/m3 μCi/cc, or DAC
Measures	Airborne Concentration
New Upgraded Hardware	•Calculations by Imbedded Processor •On Board Data Logger
Available options	Optional Electronic mass flowmeter

Noble Gas Monitor Comparison

	FM-9XE-NG	FM-9NGAS-2	FM-9NGAS-3
Chamber Volume	300 cc	1 liter	1 liter
Main Detector	2" dia T-1190 GM	2" dia T-1190 GM	2 ea 2" dia T-1190 GM
Shielding	3/8"	1.0"	3.0"
Background Subtract Detector	N/A	N/A	Duplicate 2" dia T-1190 GM
Weights (lbs)			
Electronics	12 lbs	12	12
Pump	7 lbs	14	14
Detector Shield	22 lbs	200	590

**NOBLE GAS AIR/STACK MONITOR
ARGON – XENON - KRYPTON**

**Model # FM-9XE-NG
Model # FM-9NGAS-2
Model # FM- 9NGAS-3**



Quiet, long-life, Green-Turtle Pump

